



Intensive multi-channel flat jet nozzles for air

Series 600.383.35

Series 600.383.35

The intensive multi-channel flat jet nozzles of the 600.383 series generate a concentrated, powerful air jet. Due to the flattened design, the jet depth of this nozzle always remains constant even at changing pressures. This permits precise operation even under changing conditions.



Cost savings

8%



Noise reduction

10%



Materials

Brass nickel plated,
PVC



Blowing force

4.3 N at 2 bar



Noise level

86 db(A) at 2 bar



Air consumption

$V_{LN}=31 \text{ m}^3/\text{h}$ at 2 bar



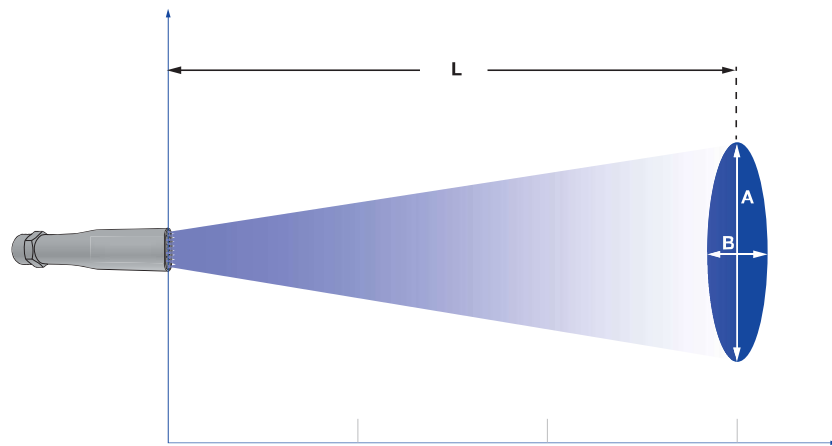
Pressure

$p_{\text{max}}=10 \text{ bar}$



Max. temperature

50 °C

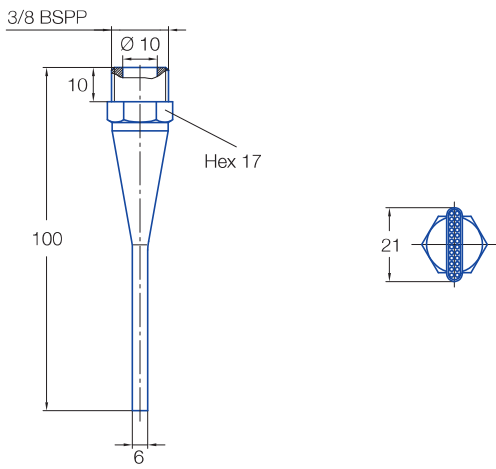


Jet pattern of 600.383.35 nozzle series

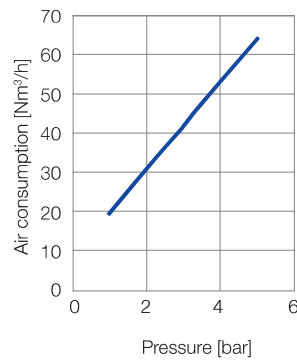
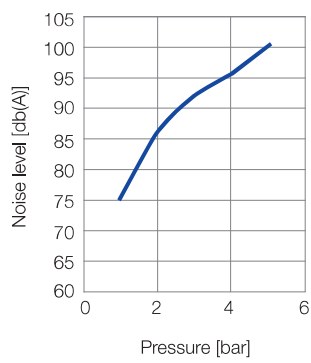
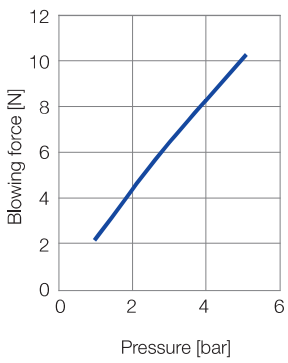
Pressure:	1 bar	3 bar	5 bar
Distance L [mm]:	900	900	900

Jet dimensions at L

A [mm]:	200	425	510
B [mm]:	230	230	230



Technical data



Ordering no.		
Type	Mat. no.	Code
	35	
	Brass nickel plated / PVC	
		3/8 BSPP
600.383.	○	AE

Example of ordering: Type + Mat. no. + Code = Ordering no.
 600.383. + 35 + AE = 600.383.35.AE